

CATALOG CODE:JCK (Q16-00)-QJ250-H-1A & JCK (Q16-32)-QJ250-H-1A

MODEL: SUPERSHAOW 250

COLORS COVERED: BLACK B2; RED R3

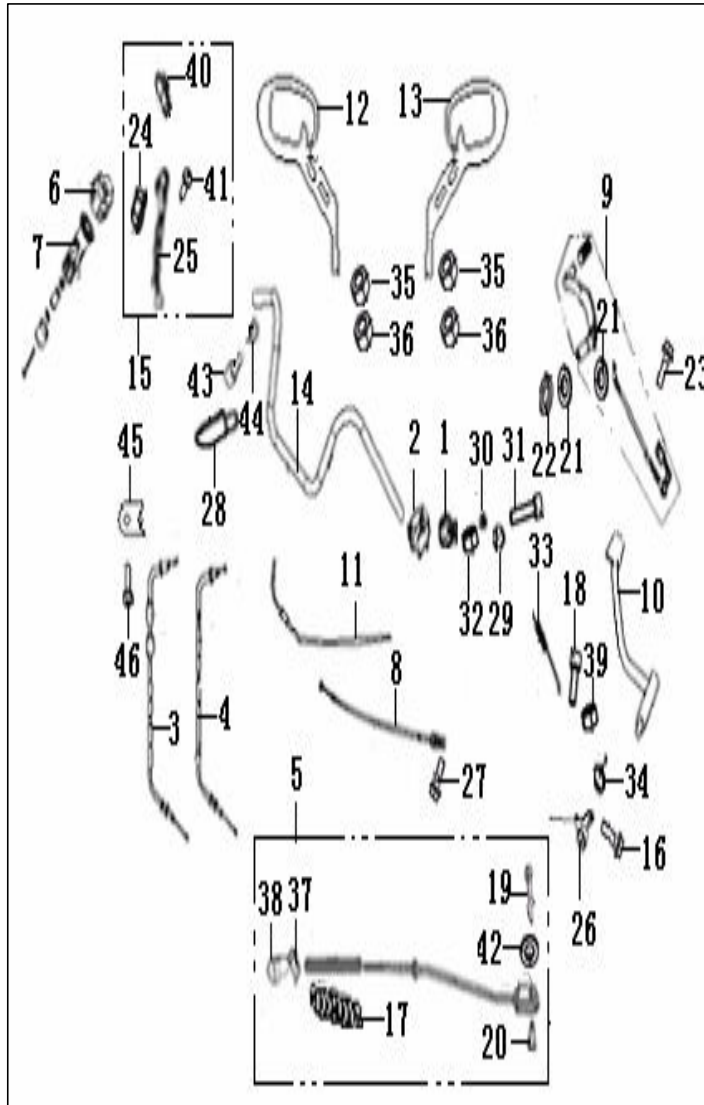
MARKET APPLICABLE: ALL EEC2 NATIONS(Q16-00)+UKRAINE(Q16-32)



F01 操纵

STEERING

NO.	CODE		QTY.
1	40210N0HP000	GRIP ASSY., THROTTLE	1
2	40600N0HP001	SWITCH ASSY, R.	1
3	40300N0HP000	CABLE ASSY.I, THROTTLE	1
4	40330N0HP000	CABLE ASSY.II, THROTTLE	1
5	40270N0HP000	WIRE ASSY, RR. BRAKE	1
6	40500N0HP001	SWITCH ASSY, L.	1
7	40070N0HP000	GRIP ASSY, HANDLE, L.	1
8	40400N0HP000	CABLE ASSY, CLUTCH	1
9	08370N0HP000	LEVER ASSY, GEAR SHIFT	1
10	40710N0HP000	PEDAL ASSY, BRAKE	1
11	40350N0HP000	CABLE ASSY, CHOKE	1
12	40470K2GP001	MIRROR ASSY, RR. VIEW, R. E3 001003	1
13	40460K2GP001	MIRROR ASSY., RR. VIEW, L. E3 001003	1
14	40101N0HP001	HANDLEBAR	1
15	40080G0KP000	LEVER, L.	1
16	B01010602025	BOLT 6×20MM	2
17	40274N0HP000	SPRING	1
18	B01020602564	BOLT 6×25MM	1
19	B09001601812	PIN 1.6×18 MM	1
20	40018N0HP000	PIN, RR. BRAKE ROD	1
21	08022J00P000	WASHER 12 MM	2
22	B08010001201	CIR-CLIP 12 MM	1
23	B01020602064	BOLT 6X20MM	1
24	B04170600065	NUT 6MM	1
25	40084G0KP000	LEVER, L.	1
26	40720N0HP000	BRACKET ASSY, BRAKE PEDAL	1
27	B01090601264	BOLT 6X12MM	1
28	40017N0HP000	SLEEVE, THROTTLE CABLE	1
29	40031N0HP000	BALANCER	2
30	40033K0BP000	PLUG, RUBBER	2
31	B02050605564	SCREW 6X55MM	2
32	B04070600064	NUT 6MM	2
33	40019J00P000	SPRING, BRAKE LIGHT	1
34	40702N0HP000	SPRING, BRAKE RETURN	1
35	B04000800064	NUT 8MM	2
36	B04220800064	NUT 8MM	2
37	40273BM0T00	PIN, STOPPER	1
38	40271BM0T00	NUT, ADJUSTING	1
39	B04000600054	NUT 6MM	1
40	40081G0KP000	COVER, LEVER BRKT.	1
41	40083G0KP000	SCREW, LEVER BRKT.	1
42	B07030000602	WASHER 6MM	1
43	40086N0HP000	COIL, ADJUSTER	1
44	40087N0HP000	NUT, NOTCH	1
45	40321N0HP000	FIXING PLATE, THROTTLE LINE	1
46	B02000501024	SCREW 5X10MM	1



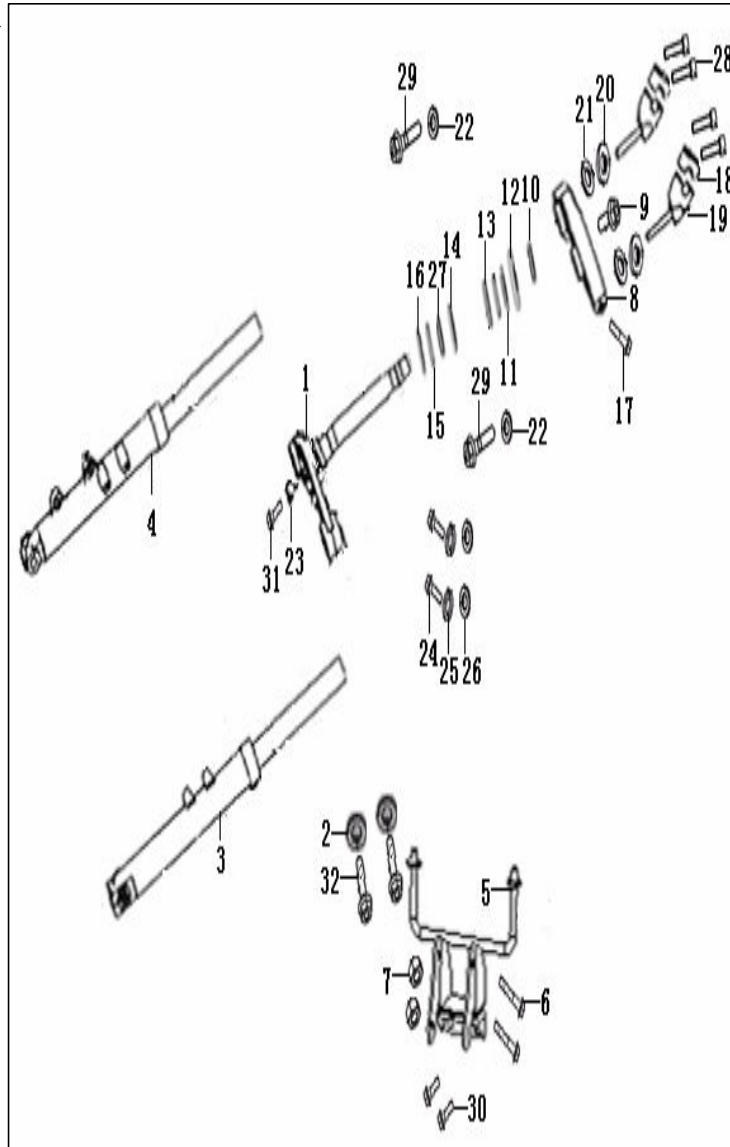
F02 前叉

FRONT FORK ASSY

序号 代码

NO. CODE

NO.	CODE		数量
NO.	CODE		QTY.
1	43100N0HP000	LOWER BRACKET ASSY	1
2	B07030001204	WASHER 12MM	2
3	43300K0BP000	ABSORBER ASSY, FR., R.	1
4	43200K0BP000	ABSORBER ASSY, FR., L.	1
5	08510N0HP000	BRACKET ASSY, HEAD LAMP	1
6	B01090605064	BOLT 6X50MM	2
7	B04070600054	NUT 6MM	2
8	43011NOH0P000	UPPER BRACKET	1
9	43049G0KP000	BOLT, STEM FIXING	1
10	43008G0KP000	NUT	1
11	43001G0KP000	RACE, UPPER STEERING, UPPER	1
12	43005G0KP000	DUST COVER	1
13	43002G0KP000	RACE, UPPER STEERING, LOWER	1
14	43003G0KP000	RACE, LOWER STEERING, UPPER	1
15	43004G0KP000	RACE, LOWER STEERING, LOWER	1
16	43019G0KP000	CUSHION , STEERING STEM	1
33	B01090804064	BOLT 8×40MM	2
18	43014G0KP000	BRKT. HANDLEBAR, UPPER	2
19	43410G0KP000	BRKT. ASSY., HANDLEBAR, LOWER	2
20	43043G0KP000	WASHER I , BRACKET	2
21	43037G0KP000	DUST SEAL, BRACKET	2
22	43044G0KP000	WASHER II , BRACKET	2
23	43021G0KP000	HOLDER, WIRE	1
24	B01010601625	BOLT 6X16MM	2
25	B07000000605	WASHER 6 MM	2
26	B07030000604	WASHER 6 MM	2
27	B06010200000	STEEL BALL SR6.35 A SET OF 38	38
28	B02050803064	SCREW 8×30MM	4
29	B01591003064	SCREW 10×1.25×30MM	2
30	B01090601064	BOLT 6×10MM	2
31	B01010601024	BOLT 6×10MM	1
32	B01051203564	BOLT 12×1.25×35MM	2



F03 前轮

FRONT WHEEL

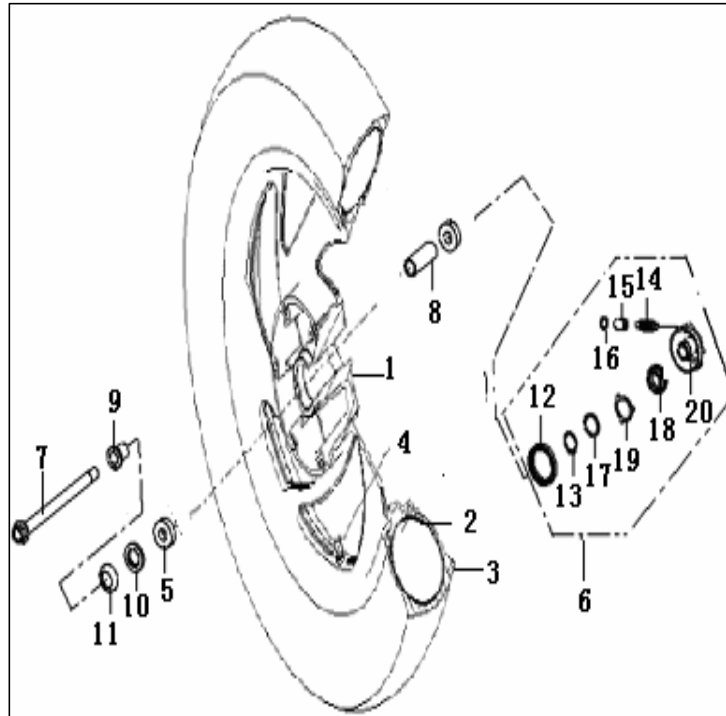
序号 代码

No. CODE

No.	CODE		数量
1	44101K0BP000	RIM, FRONT WHEEL MT1.85X18	1
2	B140230018AA	TUBE 3.00-18 E4 75R000217	1
3	B140130018AA	TIRE 3.00-18 E4 75R000217	1
4	B1404Z1102A0	CAP, VALVE	1
5	B12016020200	BEARING 6202-2RS	2
6	44200N0HP000	GEAR BOX ASSY., SPEEDOMETER	1
7	44004G0KP000	AXLE, FRONT WHEEL	1
8	44006G0KP000	SPACER, MID, FR. WHEEL	1
9	44016G0KP000	SPACER, FRONT WHEEL, R.	1
10	44300G0KP000	DUST SEAL	1
11	44017G0KP000	DUST COVER	1
12	44230N0HP000	DUST SEAL	1
13	B08010002201	CIR-CLIP 22MM	1
14	44202N0HP000	PINION	1
15	44205N0HP000	BUSH, PINION	1
16	44206N0HP000	RUBBER RING, PINION	1
17	44203N0HP000	WASHER, GEAR	1
18	44201N0HP000	GEAR	1
19	44023N0HP000	DRIVE PLATE	1
20	44220N0HP000	CASE ASSY., GEAR BOX	1

数量

QTY.



F04 液刹

FRONT DISK BRAKE ASSY

序号 代码

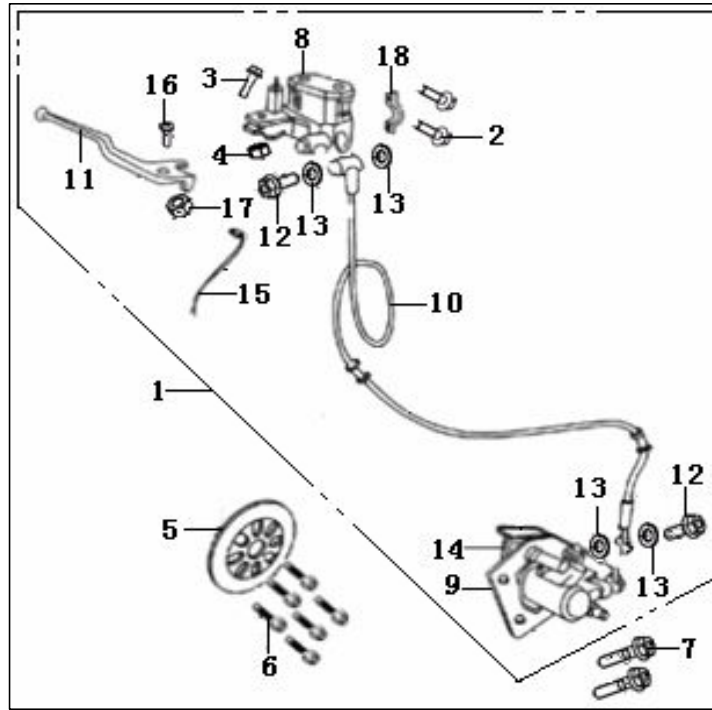
NO. CODE

1	45000G0KP000	DISK BRAKE ASSY
2	B01070602465	BOLT 6X24MM
3	B01010603325	SCREW 6X33MM
4	B04070600055	BOLT 6MM
5	45033G0KP000	BRAKE DISK
6	45036G0KP000	BOLT, FIXING
7	B01591003064	BOLT 10X1.25X30MM
8	45400G0KP000	MASTER CYLINDER
9	45500G0KP000	CALIPER ASSY.
10	45200G0KP000	HOSE, FR. BRAKE
11	45022G0KP000	LEVER, DISK BRAKE
12	45037G0KP000	UNION BOLT
13	08021G0KP000	WASHER
14	45120G0KP001	PAD ASSY., FRONT BRAKE MARK:KW06F (1 set)
15	45300G0KP000	LOCK ASSY, FR. BREAK
16	08011G0KP000	SCREW
17	08051G0KP000	NUT
18	45023G0KP 000	MASTER CYLINDER BRACKET

数量

QTY

1	1
2	2
3	1
4	1
5	1
6	6
7	2
8	1
9	1
10	1
11	1
12	2
13	4
14	1
15	1
16	1
17	1
18	1



F05 消声器

MUFFLER

序号 代码

NO. CODE

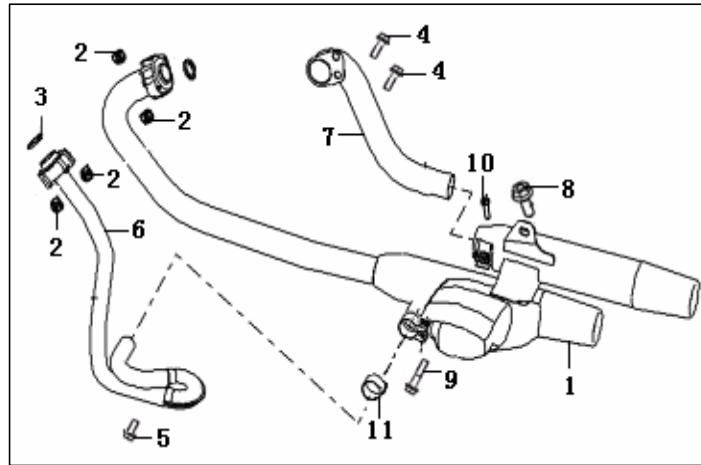
MUFFLER JOINTING ASSY. e3 KWEX08(without catalyzer)

1	47100N0HP002	
2	47006J0AP000	CAP NUT
3	47800N0HP000	GASKET, EXHAUST PIPE
4	B01090801664	BOLT 8×16MM
5	B01090600564	BOLT 6×5MM
6	47500N0HP000	EXHAUST PIPE A
7	47840N0HP000	PIPE, DECORATING
8	B01091001564	BOLT 10×15MM
9	B01090804564	BOLT 8×45MM
10	B01020602864	BOLT 6×28MM
11	47035N0HP000	BUSH

数量

QTY.

1
4
2
2
1
1
1
1
1
1
1



F06 空滤器

AIR CLEANER

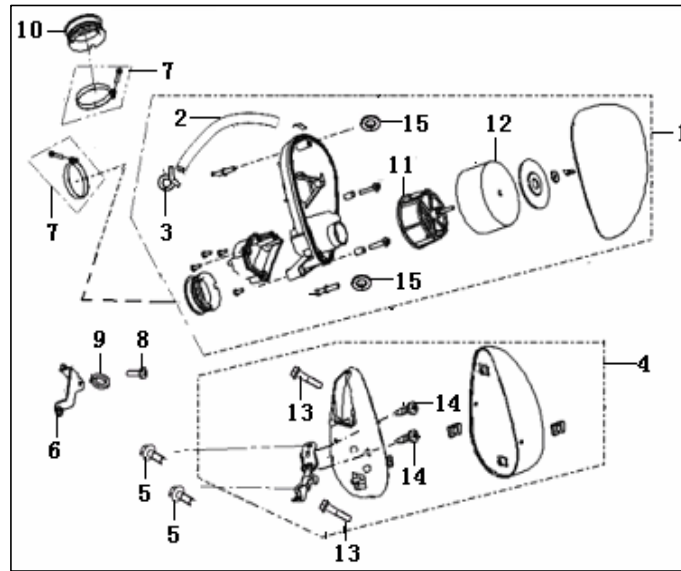
序号 代码

NO. CODE

1	49000N0HP001	AIR CLEANER ASSY. e3KWIN08
2	49005N0HP000	PIPE, AIR-OUT
3	49016N0HP000	CLIP
4	49700N0HP000	CAP ASSY., DECORATING
5	B01070601265	BOLT 6X12MM
6	49360N0HP000	BRACKET, AIR CLEANER
7	49350N0HP000	CLAMP ASSY.
8	B02000603025	SCREW 6X30MM
9	B07030000605	WASHER 6MM
10	49014N0HP000	FITTING, CARBURETOR
11	49200N0HP000	FILTER
12	49202N0HP000	SPONGE
13	B01040603565	SCREW 6X45MM
14	B02000602065	BOLT 6X20MM
15	B07030000605	WASHER 6MM

数量
QTY.

1
1
1
1
2
1
2
1
1
1
1
1
2
2
2



F07 燃油箱

FUEL TANK

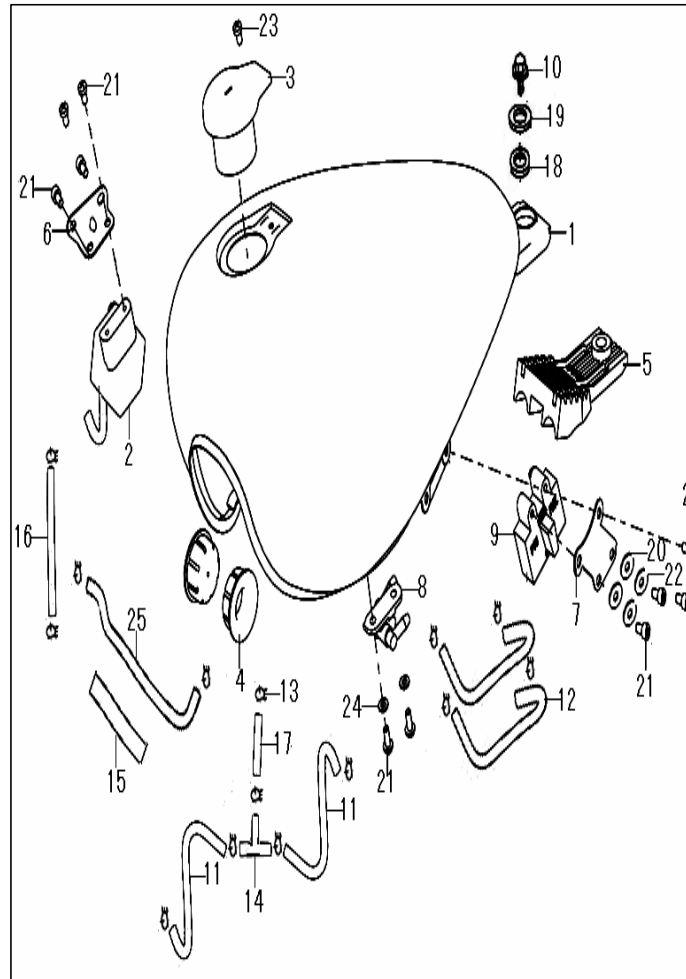
序号 代码

NO. CODE

1	50100N0HPR30(R3/C1)	FUEL TANK JOINTING ASSY.(RED R3/SILVER C1)
1	50100N0HPB20(B2/C1)	FUEL TANK JOINTING ASSY.(BLACK B2/SILVER C1)
2	50720N0HP000	SHUTOFF, FUEL, L.
3	50200N0HP000	CAP ASSY., FUEL TANK
4	50005N0HP000	CUSHION, FUEL TANK, FR.
5	50006N0HP000	CUSHION, FUEL TANK, RR.
6	50022N0HP000	BRACKET, SHUTOFF
7	50021N0HP000	BRACKET, SWITCH
8	50710N0HP000	FITTING, SWITCH
9	50310N0HP000	SWITCH ASSY., FUEL TANK
10	B01090803564	FLANGE BOLT 8×35MM
11	B16010522001	HOSE (1 5×2×200) MM
12	B16010522301	HOSE (2 5×2×230) MM
13	50306N0HP000	CLIP 10MM
14	50008N0HP000	3-DIRECTIONS PIPE
15	50017N0HP000	SLEEVE, HOSE
16	B16010521251	HOSE 3 (5×2×125) MM
17	B16010520501	HOSE 4 (5×2×50) MM
18	50014N0HP000	CUSHION, FUEL TANK FIXING
19	B07090000804	WASHER 8MM
20	B07030000605	WASHER 6MM
21	B02000601625	SCREW 6×16MM
22	B07000000605	SPRING WASHER 6MM
23	B02000501024	SCREW 5×10MM
24	08023N0HP000	WASHER , ALUMINIUM
25	B16010522351	HOSE 5 (5×2×235) MM

数量

QTY.



1

1

1

1

2

1

1

1

1

1

1

2

2

14

1

1

1

1

1

1

1

8

8

1

2

1

F08 座垫

SEAT

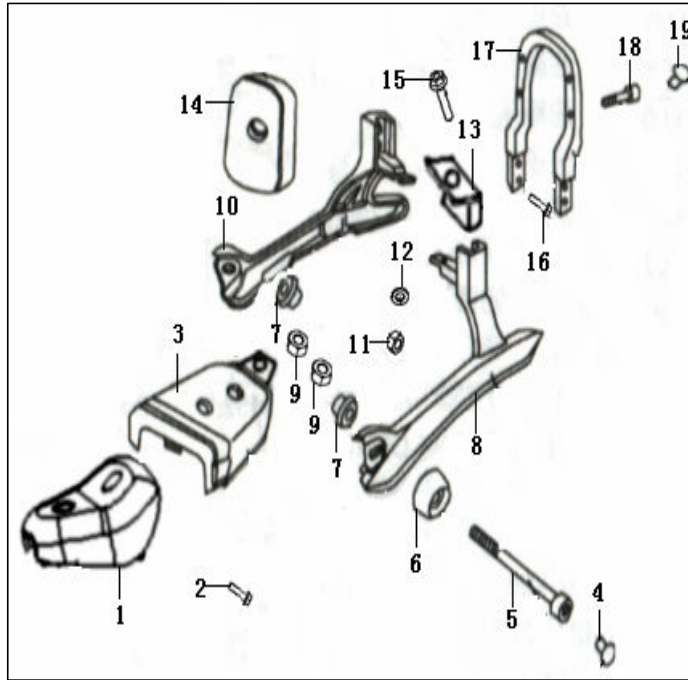
序号 代码

NO. CODE

NO.	CODE	DESCRIPTION	QTY.
1	51100N0HP000	SEAT I	1
2	B01090602064	BOLT 6X20MM	2
3	51200K0BP000	SEAT II	1
4	65823G0KP000	CAP, DECORATING	2
5	B02051006564	SCREW 10X65MM	2
6	51305G0KP000	SLEEVE, BRACKET, DECORATING	2
7	51304G0KP000	BUSH, BRACKET	2
8	51301K0BP000	BRACKET, SEAT III, L.	2
9	B04071000054	NUT 10MM	2
10	51302K0BP000	BRACKET, SEAT III, R.	1
11	B04070800054	NUT 8MM	1
12	B07020000804	WASHER 8MM	1
13	51306K0BP000	FIXING PLATE, BRACKET	1
14	51310G0KP000	SEAT III	1
15	B01090804064	BOLT 8X40MM	1
16	B01090602064	BOLT 6X20MM	4
17	51303G0KP000	BRACKET, SEAT, RR.	1
18	B02050602564	SCREW 6X25MM	3
19	65821G0KP000	CAP, DECORATING	3

数量

QTY.



F09 后摆臂

REAR SWINGING ARM

序号 代码

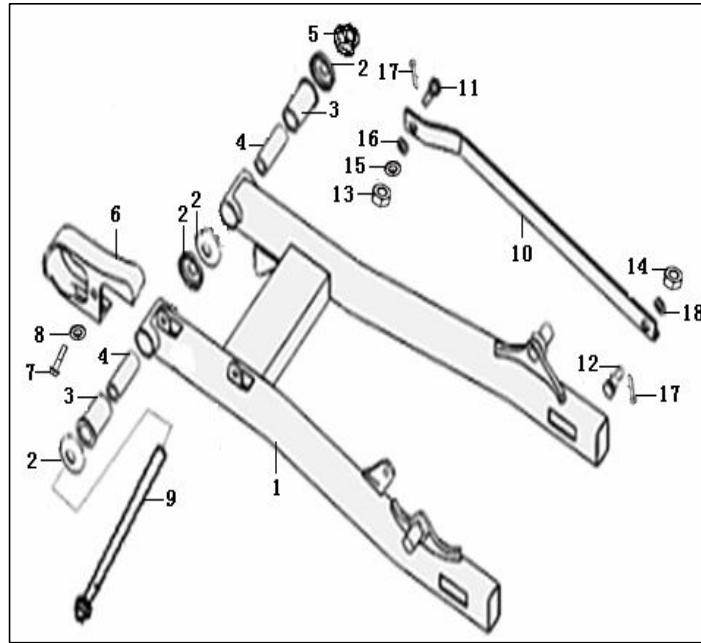
NO. CODE

1	53100N0HP000	REAR SWINGING ARM ASSY.
2	53220N0HP000	DUST SEAL
3	53007N0HP000	SPACER, SWINGING ARM
4	53008N0HP000	BUSH, SWINGING ARM
5	B04171212564	NUT 12X1.25MM
6	53004N0HP000	BUFFER, CHAIN TOUCH DEFENSE
7	B01010601224	BOLT 6X12MM
8	B07020000604	WASHER 6MM
9	53001N0HP000	SHAFT, PIVOT
10	53300N0HP000	TORQUE LINK
11	53011K0BP000	BOLT I, TORQUE LINK
12	53012K0BP000	BOLT, LINK MOUNTING 8X27MM
13	B04000800054	NUT 8MM
14	B04020800014	NUT 8MM
15	B07020000804	PLATE WASHER 8MM
16	53014N0HP000	CUSHION, LINK FITTING
17	B090002018A4	SPLIT PIN 2X18MM
18	B07020000804	WASHER 8MM

数量

QTY.

1
2
2
2
1
1
1
1
1
1
1
1
1
1
1
1
1
2
1



F10 后轮

REAR WHEEL

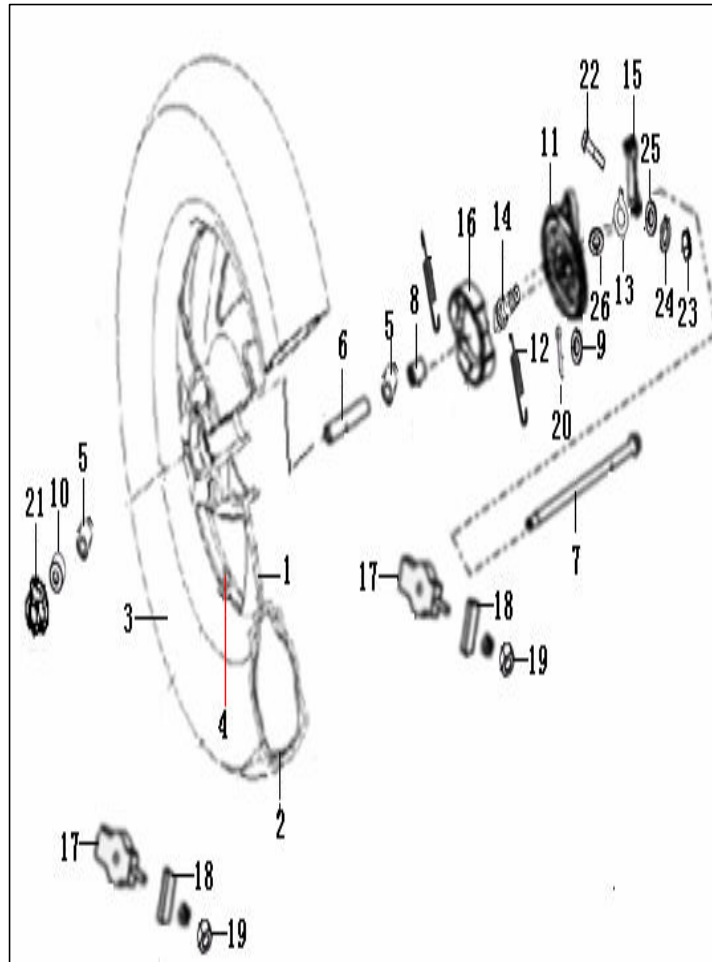
序号 代码

NO. CODE

NO.	CODE	DESCRIPTION	QTY.
1	54100K0BP000	RIM, RR. WHEEL MT2.75X15	1
2	B140208F15BB	TUBE 130/90-15 E4 75R000218	1
3	B140108F15BB	TIRE 130/90-15 E4 75R000218	1
4	B1404Z1102A0	CAP, VALVE	1
5	B12016030300	BEARING 6303-2RS	2
6	54006K0BP000	MID SPACER, RR. WHEEL	1
7	54004K0BP000	AXLE, REAR WHEEL	1
8	54005K0BP000	SPACER, RR. WHEEL, R.	1
9	B07030000804	WASHER 8MM	1
10	54711N0HP000	BUSH, SPROCKET, L	1
11	54400K0BP000	PANEL, REAR WHEEL	1
12	54001K0BP000	SPRING, BRAKE SHOE	2
13	54002J0ET000	PLATE, WEAR INDICATING	1
14	54003K0BP000	CAMSHAFT, REAR BRAKE	1
15	54007N0HP000	LEVER, RR. BRAKE	1
16	54200K0BP001	BRAKE SHOE, REAR BRAKE KE06R (1 set)	1
17	53230K0BP000	ADJUSTER ASSY, CHAIN	2
18	53234K0BP000	FIXING PLATE, ADJUSTER	2
19	B04020800054	NUT 8MM	2
20	B090002018A2	SPLIT PIN 2X18MM	1
21	B04171615064	NUT 16X1.5MM	1
22	B01090603564	BOLT 6X35MM	1
23	B04000600054	NUT 6MM	1
24	B07000000604	WASHER 6MM	1
25	B07030000604	WASHER 6MM	1
26	08031K0BP000	O-RING 18X2.4MM	1

数量

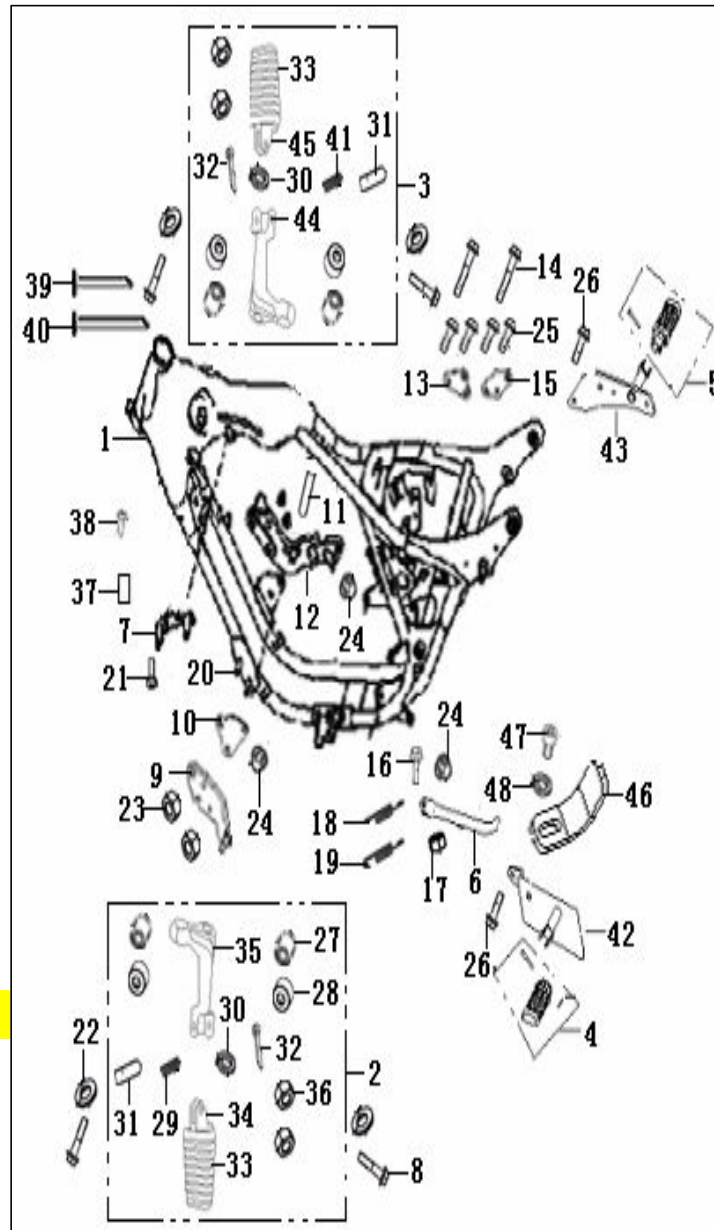
QTY.



F11 车架

FRAME ASSY

NO.	CODE		QTY
1	50100N0HP001	FRAME ASSY.	1
2	58220N0HP000	FOOTREST ASSY , FR., L.	1
3	58240N0HP000	FOOTREST ASSY , FR., R.	1
4	58260N0HP000	FOOTREST ASSY , RR., L.	1
5	58280N0HP000	FOOTREST ASSY , RR., R.	1
6	58701N0JP00A	SIDE STAND ASSY.	1
7	58770N0HP000	BRACKET, IGNITION COIL	1
8	57024N0HP000	BOLT, FOOTREST FIXING	4
9	58451N0HP000	BRACKET, FR. L. FOOTREST	1
10	57011N0HP000	BRACKET, ENGINE, FR.	2
11	58303N0HP000	SHAFT, ENGINE, FR.	1
12	58471N0HP000	BRACKET, FR. R. FOOTREST	1
13	57008N0HP000	UPPER BRACKET, ENGINE, R.	1
14	B01090811064	BOLT 8X110MM	2
15	57009N0HP000	LOWER BRACKET, ENGINE, R.	1
16	57005N0JP000	BOLT, SIDE STAND MOUNTING	1
17	B04001012564	NUT 10×1.25MM	1
18	57003N0HP000	SPRING, SIDE STAND I	1
19	57004N0HP000	SPRING, SIDE STAND II	1
20	57037N0HP000	STUD, FR. FOOTREST FIXING	4
21	B01090601264	BOLT 6×12MM	1
22	B07020001004	WASHER 10MM	4
23	B04221012564	NUT 10X1.25MM	4
24	B04170800054	NUT 8MM	3
25	B01090801664	BOLT 8×16MM	4
26	B01090802064	BOLT 8×20MM	2
27	58228N0HP000	BUSH I	4
28	58229N0HP000	SLEEVE, RUBBER	8
29	58202N0HP000	SPRING, FOOTREST RH	1
30	58224N0HP000	BUSH II	2
31	B090408035B4	PIN B8X35MM	2
32	B09002502013	SPLIT PIN 2.5X20MM	2
33	58221N0HP000	RUBBER, FOOTREST	2
34	58226N0HP000	BAR, FOOTREST LH	1
35	58227N0HP000	SEAT, FOOTREST LH	1
36	B04080600054	NUT 6MM	4
37	57001N0HP001	PLATE, LABEL	1
38	B10000300600	RIVET 3X6MM	2
39	96001N0HP000	BAND I 150MM	7
40	96002N0HP000	BAND II 200MM	1
41	58402N0HP000	SPRING, FOOTREST LH	1
42	58210N0HP000	BRACKET, LH, RR , FOOTREST	1
43	58310N0HP000	BRACKET, RH, RR , FOOTREST	1
44	58247N0HP000	SEAT, FOOTREST RH	1
45	58246N0HP000	BAR, FOOTREST RH	1
46	58702N0LP000	BRACKET	1
47	B02050501064	SCREW 5X10MM	1
48	B07030000505	WASHER 5MM	1



F12 链传动

REAR WHEEL

序号 代码

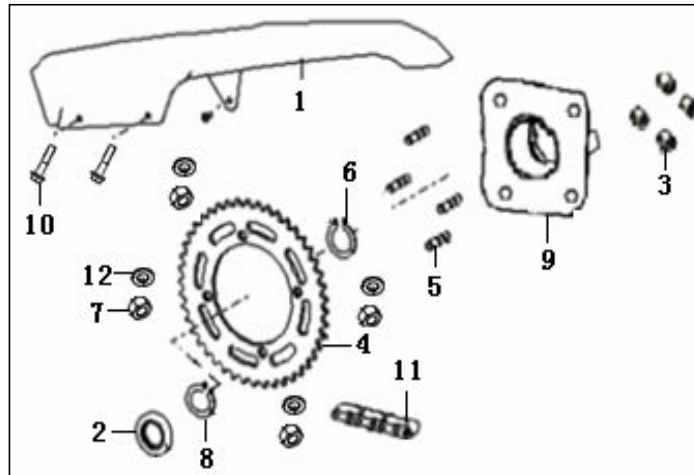
NO. CODE

1	60101N0HP000	CASE, SPROCKET
2	60200N0HP000	DUST SEAL, SPROCKET
3	54710K0BP000	RUBBER, REAR WHEEL DRIVING
4	60002N0HP000	SPROCKET
5	60015N0HP000	BOLT, SPROCKET MOUNTING
6	B08000004701	CIR-CLIP 47MM
7	B04171012554	NUT 10X1.25MM
8	B08010006001	CIR-CLIP 60MM
9	60027K0BP000	BRACKET, SPROCKET
10	B01090601264	BOLT 6×12MM
11	B1501K1014B0	DRIVE CHAIN 10A-1×114
12	B07010001004	WASHER 10MM

数量

QTY.

1
1
4
1
4
1
4
1
1
3
1
4



F13 后减震

REAR ABSORBER

序号 代码

NO. CODE

1	63000G0KP000	REAR ABSORBER ASSY.
2	63013G0KP000	WASHER, UPPER, REAR ABSORBER
3	63014G0KP000	WASHER, LOWER, REAR ABSORBER
4	B01090801664	BOLT 8×16MM

数量

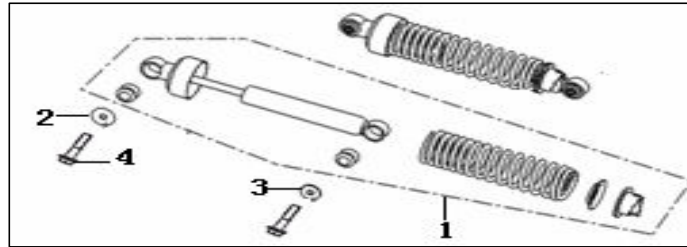
QTY.

2

2

2

4



F14 前挡泥板

FRONT FENDER

序号 代码

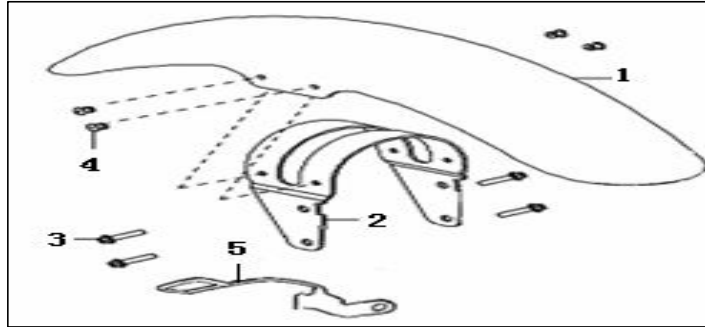
NO. CODE

1	65101G0KPR30(R3/C1)	FRONT FENDER(RE D R3/SILVER C1)
1	65101G0KPB20(B2/C1)	FRONT FENDER(BLACK B2/SILVER C1)
2	65121G0KP000	REINFORCEMENT, FR. FENDER
3	B01090801664	BOLT 8×16MM
4	B100342008P0	RIVET 5×8MM
5	08470N0HP00A	DISK BRAKE TUBE ASSY,FRONT

数量

QTY.

1
1
1
4
4
1



F15 护板

SIDE COVER ASSY

序号 代码

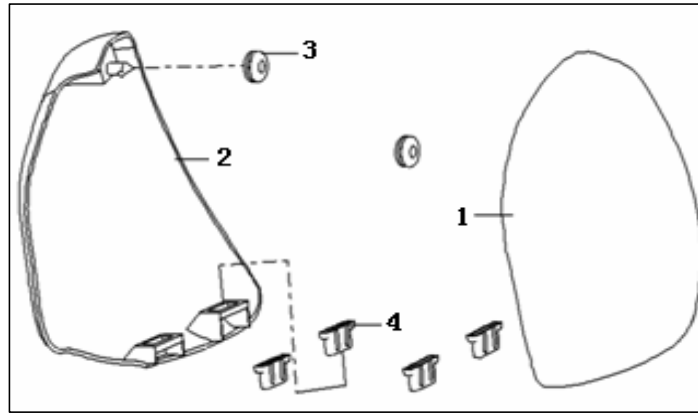
NO. CODE

1	65601N0HPR30	FRAME COVER, L.(RED R3)
1	65601N0HPB20	FRAME COVER, L.(BLACK B2)
2	65602N0HPR30	FRAME COVER, R. (RED R3)
2	65602N0HPB20	FRAME COVER, R. (BLACK B2)
3	65616N0HP000	CUSHION, FRAME COVER I
4	65618N0HP000	CUSHION, FRAME COVER II

数量

QTY.

1
1
1
1
2
4



F16 后挡泥板

REAR FENDER ASSY

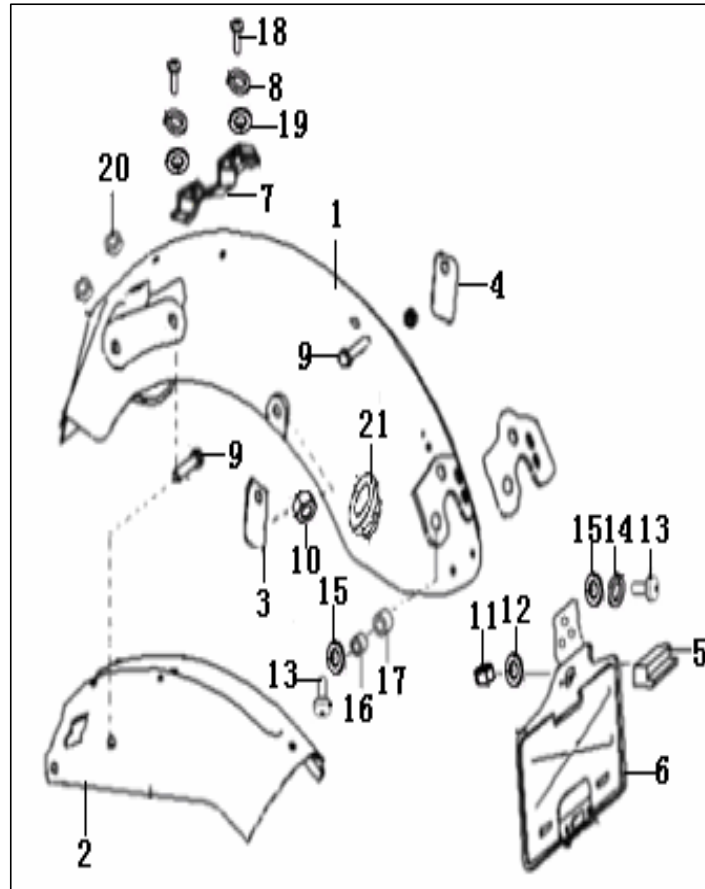
序号 代码

NO. CODE

数量

QTY.

1	65750N0HPR30(R3/C1)	REAR FENDER ASSY. (RED R3/SILVER C1)	1
1	65750N0HPB20(B2/C1)	REAR FENDER ASSY. (BLACK B2/SILVER C1)	1
2	65720K0BP000	REINFORCEMENT, RR. FENDER	1
3	65780G0KP000	BRKT., L. RR. TURN SIGNAL LAMP	1
4	65790G0KP000	BRKT., R. RR. TURN SIGNAL LAMP	1
5	86500J00P001	REAR REFLECTOR E11-020612	1
6	08250G0KP000	BRACKET, RR. LICENSE PLATE	1
7	51201G0KP000	BRACKET, SEAT	1
8	B01020602264	BOLT 6×22MM	3
9	B01091002064	BOLT 10×20MM	2
10	B04070800054	NUT 8MM	2
11	B04000500054	NUT 5MM	1
12	B07020000504	WASHER 5MM	1
13	B01010601624	BOLT 6×16MM	3
14	B07000000604	WASHER 6MM	3
15	B07020000604	WASHER 6MM	6
16	08304G0KP000	CUSHION	3
17	08305G0KP000	BUSH	3
18	B02000602023	SCREW 6X20MM	2
19	B07030000603	WASHER 6MM	2
20	57014K0BP000	WASHER, RUBBER	2
21	65713N0HP000	RUBBER WASHER	1
22	B07000000604	WASHER 6MM	1



F17 电器I

ELECTRICAL EQUIPMENT I

序号 代码

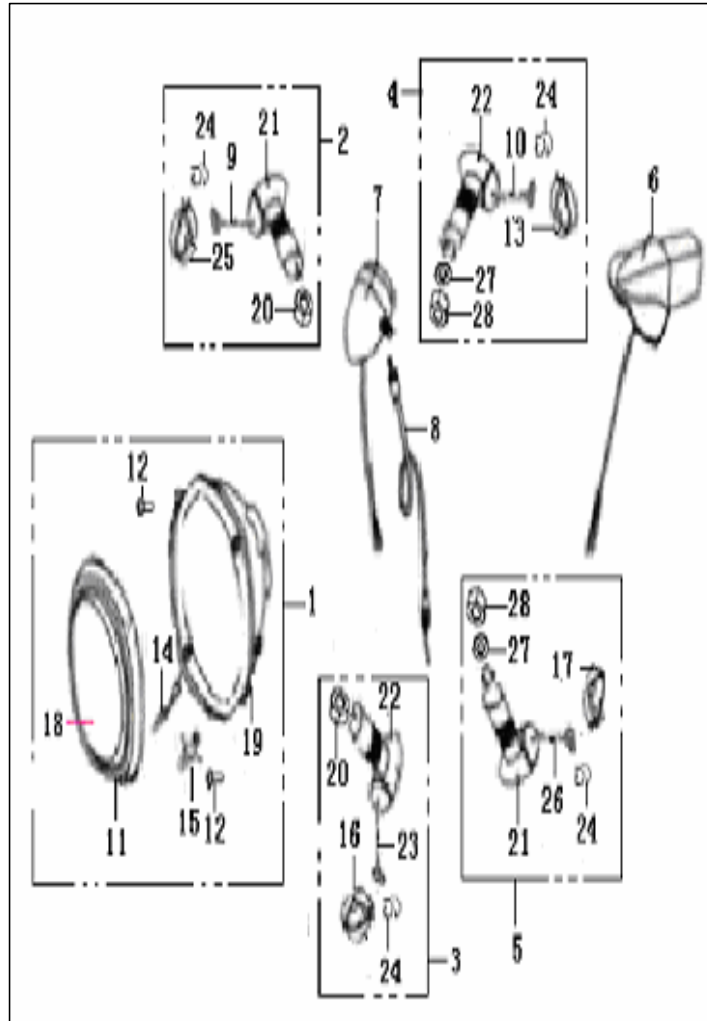
NO. CODE

1	8000N0HP001	HEAD LAMP ASSY. E11 113R-000257
2	81300N0HP001	LAMP ASSY., FR. TURN SIGNAL, R. E11 50R00-1154
3	81100N0HP001	LAMP ASSY., FR. TURN SIGNAL, L. E11 50R00-1154
4	81700N0HP001	LAMP ASSY., RR. TURN SIGNAL, R. E11 50R00-1155
5	81500N0HP001	LAMP ASSY., RR. TURN SIGNAL, L. E11 50R00-1155
6	82000N0HP001	TAIL LAMP ASSY. E11 50R-000385
7	70000N0HP001	SPEEDOMETER ASSY.
8	72900N0HP000	CABLE ASSY., SPEEDOMETER
9	81310N0HP000	WIRE ASSY. , FR. R. TURN SIGNAL
10	81710N0HP000	WIRE ASSY. , RR. R. TURN SIGNAL
11	80006N0HP000	BOWL, HEAD LAMP
12	B02000501224	SCREW 5X12MM
13	81703N0HP000	COVER, TURN SIGNAL, RR.,R
14	80023N0HP000	BULB 1
15	80002N0HP000	BULB 2
16	81103N0HP000	COVER, TURN SIGNAL, FR., L.
17	81503N0HP000	COVER, TURN SIGNAL, RR.,L
18	80004N0HP000	COVER, HEAD LAMP
19	80007BM0T000	BASE, HEAD LAMP
20	B04001200064	NUT 12MM
21	81301N0HP000	BASE, TURN SIGNAL I
22	81101N0HP000	BASE, TURN SIGNAL II
23	81110N0HP000	WIRE ASSY. , FR. L. TURN SIGNAL
24	81501H70X000	BULB, 12V/10W
25	81303N0HP000	COVER, TURN SIGNAL, FR., R.
26	81510N0HP000	WIRE ASSY. , FR. L. TURN SIGNAL
27	B07000001203	WASHER 12MM
28	B04001200063	NUT 12MM

数量

QTY.

1
1
1
1
1
1
1
1
1
1
2
1
1
1
1
1
1
1
2
2
1
4
1
1
2



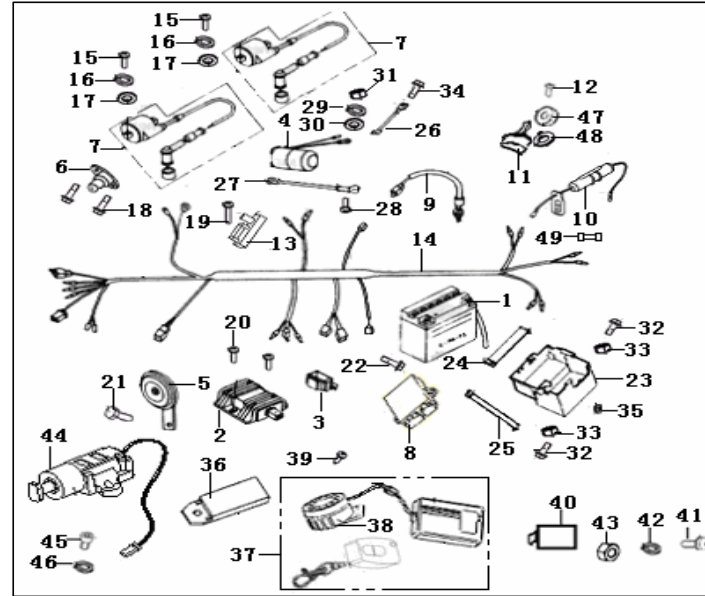
F18 电器II

ELECTRICAL EQUIPMENT II

序号 代码
NO. CODE

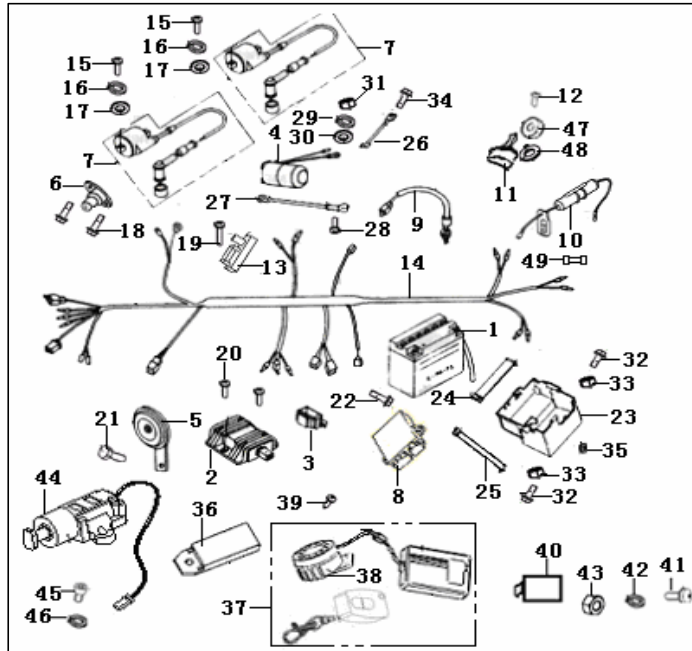
NO.	CODE	DESCRIPTION
1	96100N0HP000	BATTERY
2	98801N04FN04	RECTIFIER
3	964000N0HP000	RELAY, TURN SIGNAL
4	96700N0HP000	RELAY, KICK STARTER
5	95000N0HP001	HORN ASSY. E4000066/E4000045
6	88100N0HP00A	LOCK ASSY. (waterproof)
7	96200N0HP000	COIL ASSY., IGNITION
8	97701N04FN04	C.D.I
9	91700N0HP000	SWITCH, REAR BRAKE
10	96800N0HP000	FUSE ASSY.
11	88300N0HP000	LOCK ASSY, STEERING
12	B100342008P0	RIVET 4.2X8MM
13	88700N0HP000	LOCK ASSY, HELMET
14	92000N0HP004	HARNESS, WIRING (waterproof)
15	B02030503024	SCREW 5×20MM
16	B07000000504	WASHER 5MM
17	B07010000504	LOCK WASHER 5MM
18	B01090601664	BOLT 6×16MM
19	B02030603024	BOLT 6×30MM
20	B01010602025	BOLT 6×20MM
21	B01010602025	BOLT 6×20MM

数量
QTY.



QTY.	DESCRIPTION
1	BATTERY
1	RECTIFIER
1	RELAY, TURN SIGNAL
1	RELAY, KICK STARTER
1	HORN ASSY. E4000066/E4000045
1	LOCK ASSY. (waterproof)
2	COIL ASSY., IGNITION
1	C.D.I
1	SWITCH, REAR BRAKE
1	FUSE ASSY.
1	LOCK ASSY, STEERING
1	RIVET 4.2X8MM
1	LOCK ASSY, HELMET
1	HARNESS, WIRING (waterproof)
4	SCREW 5×20MM
4	WASHER 5MM
4	LOCK WASHER 5MM
2	BOLT 6×16MM
1	BOLT 6×30MM
2	BOLT 6×20MM
1	BOLT 6×20MM

22	B01090601664	BOLT 6×16MM	1
23	65816N0HP000	CASE, BATTERY	1
24	02200N0HP000	BAND , TOOL	1
25	96004N0HP000	BAND , BATTERY CASE	1
26	96900N0HP000	WIRE, EARTH	1
27	92900N0HP000	WIRE, MOTOR	1
28	B02000501224	SCREW 5X12MM	1
29	B07000000603	WASHER 6MM	1
30	B07030000603	LOCK WASHER 6MM	1
31	B04240600034	BOLT 6MM	1
32	B01090601064	BOLT 6X10MM	2
33	B04050600064	NUT 6MM	2
34	B01090601264	BOLT 6X12MM	1
35	96008N0HP000	ACCUMULATOR CUSHION	1
36	97900N0HP000	THERMOSTAT	1
37	95700N0HP000	ALARM SYSTEM ASSY	1
38	97600N0HP000	HORN ALARM SYSTEM	1
39	B05074001203	SCREW 4X12MM	1
40	97291N0HP000	ANNUNCIATOR FIXING PLATE	1
41	B01090601564	SCREW 6X15MM	1
42	B07020000603	WASHER 6MM	1
43	B04000600043	NUT 6 MM	1
44	91900N0LP001	SIDE STAND FLAMEOUT SWITCH	1
45	B02050501565	SCREW M5X15	2
46	B07030000505	WASHER 5MM	2
47	88809N0HP000	BUSH	1
48	B190100600A0	O RING	1
49	96810N0HP000	FUSE ASSY.	1



F19 随车工具

TOOL KIT

序号 代码

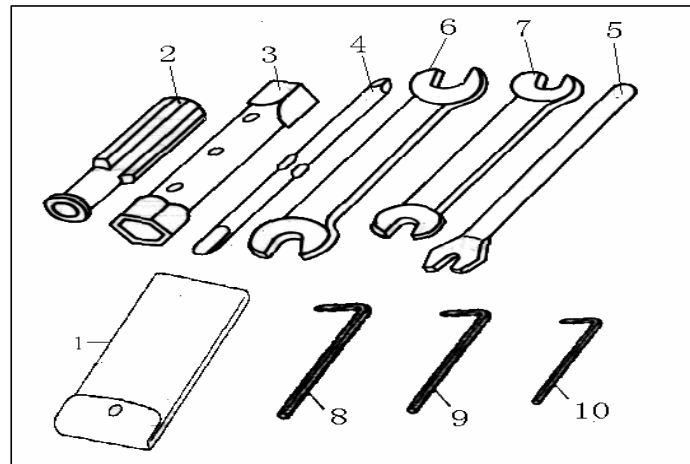
NO. CODE

1	02110K0BP000	TOOL BAG
2	02104K0BP000	HANDLE
3	02101K0BP000	SOCKET, SPARK PLUG
4	02103K0BP000	SCREW DRIVER, DOUBLE-HEADED
5	02102K0BP000	SPANNER, SPARK PLUG
6	B200113-1600	WRENCH, DOUBLE-HEADED 13-16
7	B200110-1200	WRENCH, DOUBLE-HEADED 10-12
8	B200208000R0	SOCKET WRENCH 8
9	B200206000R0	SOCKET WRENCH 6
10	B200205000R0	SOCKET WRENCH 5

数量

QTY.

1
1
1
1
1
1
1
1
1
1



F20 铭牌不干胶

STICKER

序号 代码

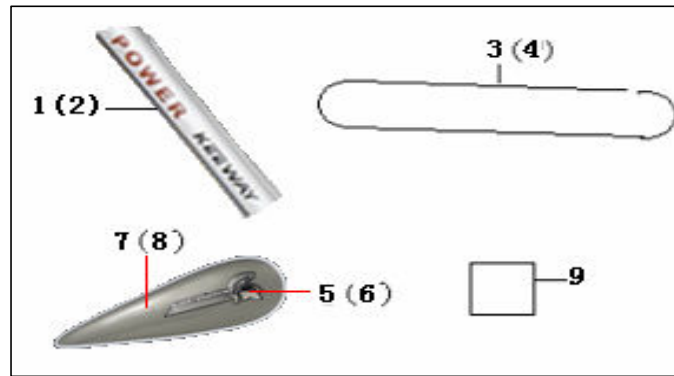
NO. CODE

1	05503N0HP001	STICKER 2, FRONT FORK, L.
2	05504N0HP001	STICKER 2, FRONT FORK, R.
3	05505N0HP000	STICKER, FRONT FENDER
4	05506N0HP000	STICKER, REAR FENDER
5	05535N0HP000	STICKER , FUEL TANK,L
6	05536N0HP000	STICKER , FUEL TANK,R
7	05532N0HP000	STICKER, FUEL TANK, L.
8	05533N0HP000	STICKER, FUEL TANK, R.
9	05534N0HP001	WARNING STICKER, FUEL TANK

数量

QTY.

1
1
1
1
1
1
1
1
1



CATALOG CODE: QJ2V49FM JCK(Q16-00)(16-32)-QJ250-H-1A(1011303.00701)

MODEL: USED FOR SUPERSHADOW 250

2V49FM.12A副轴分总成

E01 COUNTERSHAFT ASSY

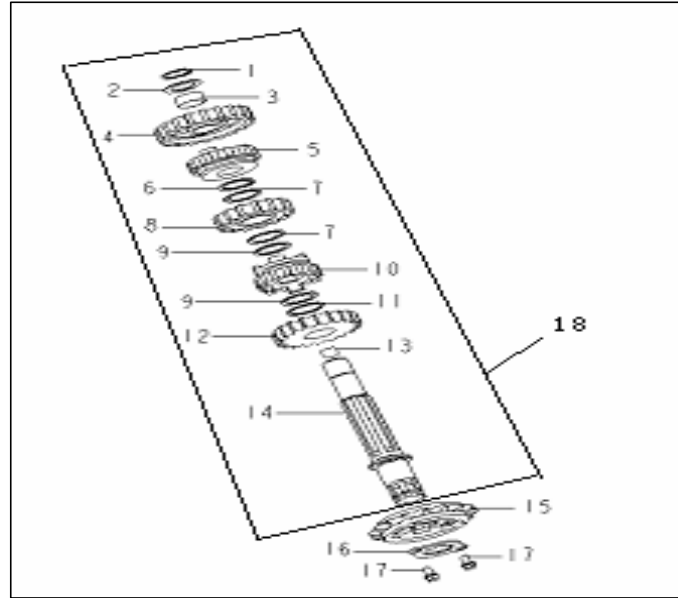
序号 代码

NO	CODE	
1	B08010002000	CIRCLIP
2	17307N04F000	WASHER
3	17306N04F000	BUSH
4	17305N04F000	GEAR, 1st driven
5	17312N04F000	GEAR, 4st driven
6	B08010002500	CIRCLIP
7	17310N04F000	WASHER
8	17311N04F000	GEAR, 3rd driven
9	17346N04F000	CIRCLIP
10	17320N04F000	GEAR, 5th driven
11	17348N04F000	WASHER
12	17309N04F000	GEAR, 2nd driven
13	17347N04F000	SLIP WAHER
14	17303N04F000	SHAFT , DRIVEN
15	17340N04F000	SPROCKET ASSY
16	17344N04F940	WASHER, lock
17	B01010601063	BOLT
18	209102.014000	DRIVEN SHAFT , ASSY

数量

QTY

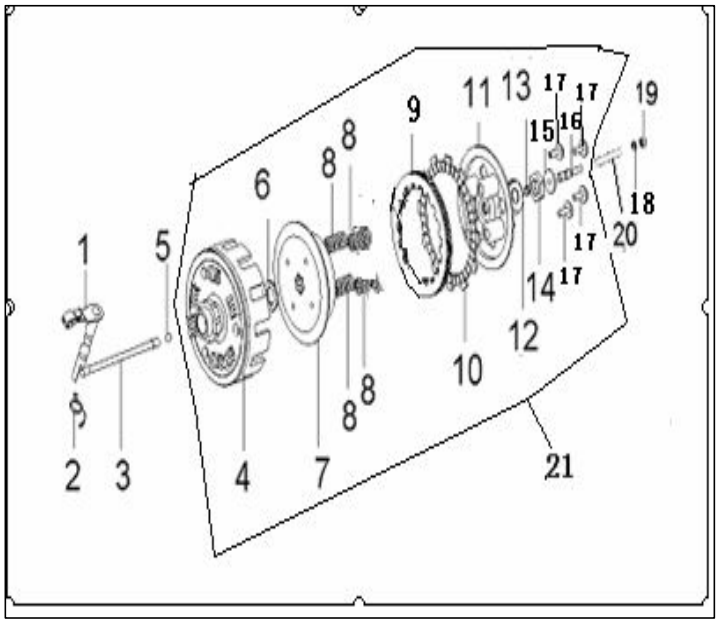
1
1
1
1
1
1
2
1
2
1
1
1
1
1
1
1
1
2
1



2V49FM.11A离合器部件

E02 CLUETH ASSY

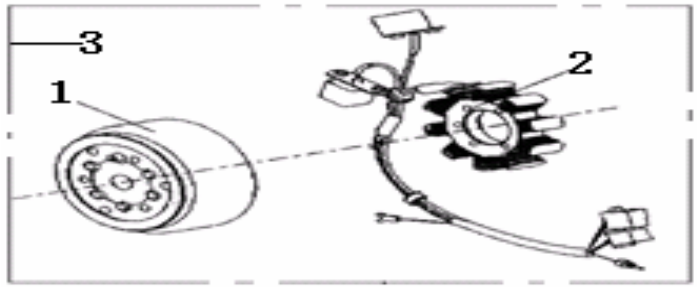
序号	代码	名称	数量
NO	CODE		QTY
1	207110.001472	JOY STICK	1
2	24904N04F920	TWIST SPRING	1
3	24908N04F000	HANDSPIKE	1
4	24400N04F000	HUB, primary drive	1
5	B06010290000	BALL	1
6	24616N04F000	WASHER, spline	1
7	24500N04F000	HUB, clutch sleeve	1
8	24611N04F930	SPRING	4
9	24708N04F000	PRESSURE PLATE	4
10	24705N04F000	PLATE FRICTION	5
11	24503N04F000	HUBSEAT	1
12	24615N04F930	STOP WASHER (20-GB11253-89)	1
13	24505N04F000	WASHER (RN7443 GB7039-86)	1
14	24607N04F930	NUT M16X1.6	1
15	24651N04F930	HANDSPIKE , Seat	1
16	24914N04F930	HANDSPIKE	1
17	24507N04F000	BOLT (M6x20)	4
18	B07030000600	FLAT WASHER 6	1
19	B04040000052	NUT 6	1
20	24652J03F000	SCREW	1
21	24000N04F000	CLUTCH ASSY	1



2V49FM.15A磁电机部件

E03/1 MAGNETO ASSY

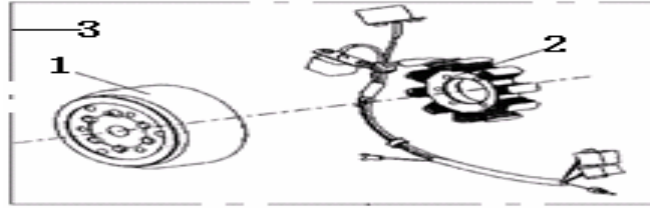
代码	名称	数量
NO	CODE	QTY
1	34301N04F000	FLY WHEEL ASSY
2	34310N04F000	COIL ASSY STATOR
3	34300N04F000	MAGNETO ASSY COMP.



2V49FM.15B磁电机部件：带防水插件

E03/2 MAGNETO ASSY(WITH WATERPROOF CONNECTOR)

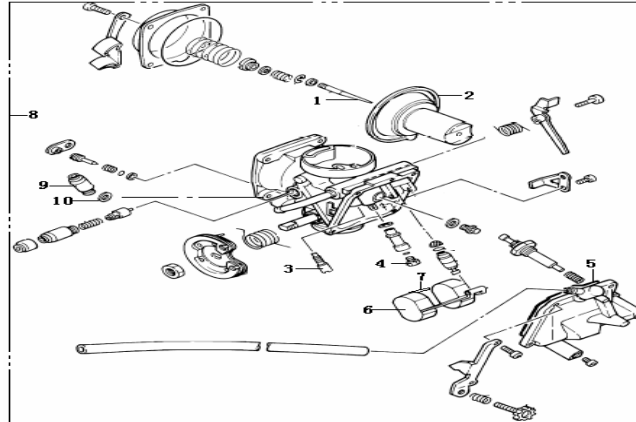
代码	数量
NO CODE	QTY
1 34301N04F000 FLY WHEEL ASSY	1
2 34310N04F000 COIL ASSY STATOR	1
3 223100.008000 MAGNETO ASSY COMP.	1



化油器分总成 (XD26JA) B)主量孔102.5,标记92.5

E04 CARBURETOR ASSY

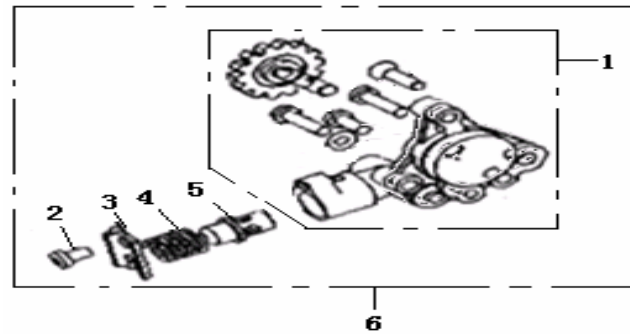
序号 代码	数量
NO CODE	QTY
1 32508N04F000 NEEDLE , jet	1
2 32506N04F000 VALVE , PISTON	1
3 32618N04F000 JET, idle (0.4mm)	1
4 224202.054000 JET, main	1
5 32701N04F000 GASKET,float chamber	1
6 32622N04F000 FLOAT	1
7 32621N04F000 PIN, float	1
8 224100.118000 CARBURATOR ASSY	1
9 224260.002000 ELEMENT PREHEATING	1
10 32801B09F000 WASHER	1



2V49FM.10A机油泵部件

E05 OIL PUMP ASSY

序号 代码	数量
NO CODE	QTY
1 219100.040000 GEAR ASSY,oil pump	1
2 B02040601063 SCREW (M6X10)	1
3 19301N04F910 PLATE	1
4 19302N04F930 SPRING	1
5 19303N04F000 VALVE,decompress	1
6 19000N04F000 OIL PUMP ASSY	1



2V49FM.09A化油器进气管部件

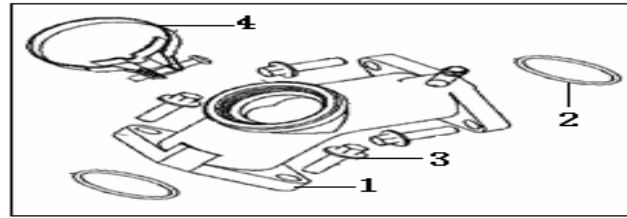
E06 CARBURETTOR INTAKE PIPE

序号 代码

NO	CODE	
1	32200N04F000	PIPE ASSY , intake
2	32209N04F000	O RING
3	B01070602064	SCREW
4	202104.005472	CLAMP ASSY

数量

QTY
1
2
4
1



2V49FM.07A凸轮轴配气机构部件

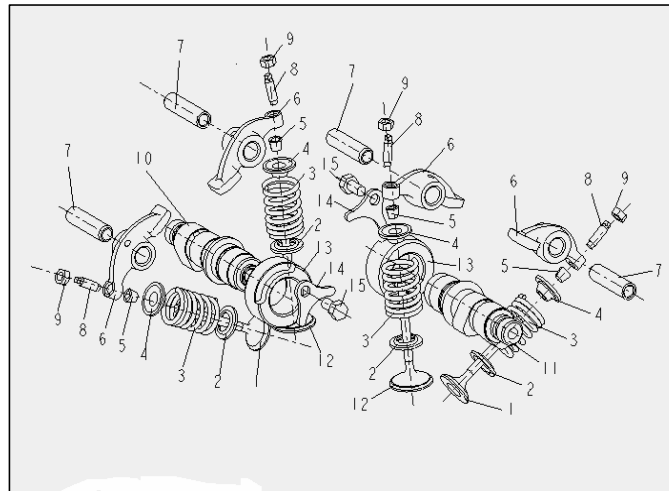
E07 INTAKE & EXHAUST MECHANISM

序号 代码

NO	CODE	
1	30201N04F000	VALVE , exhaust
2	30106N04F000	GASKET, valve spring
3	30101N04F930	SPRING, valve
4	30105N04F000	RETAINER, valve spring
5	30108N04F000	COTTER, valve
6	30123N04F000	ARM, valve rocker
7	30121N04F000	SHAFT, valve rocker
8	30302H03F000	SCREW, adjusting
9	30303H03F000	NUT, adjusting
10	30401N04F000	CAMSHAFT(I)
11	30424N04F000	CAMSHAFT(II)
12	30103N04F000	VALVE, intake
13	30423N04F000	SEAT, camshaft
14	30417N04F000	PLATE, camshaft
15	B02040601262	SCREW

数量

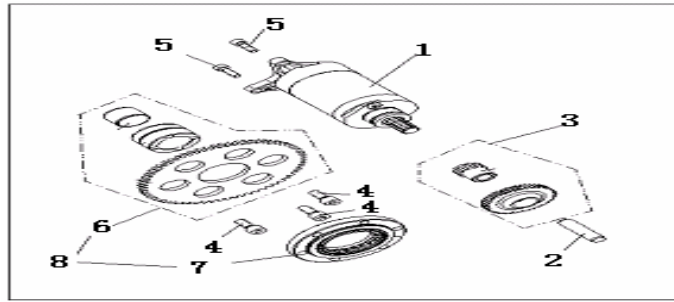
QTY
2
4
4
4
8
4
4
4
4
1
1
2
2
2
2



2V49FM.06A启动离合器部件 (喷白漆)

E08 STARTING CLUTCH ASSY

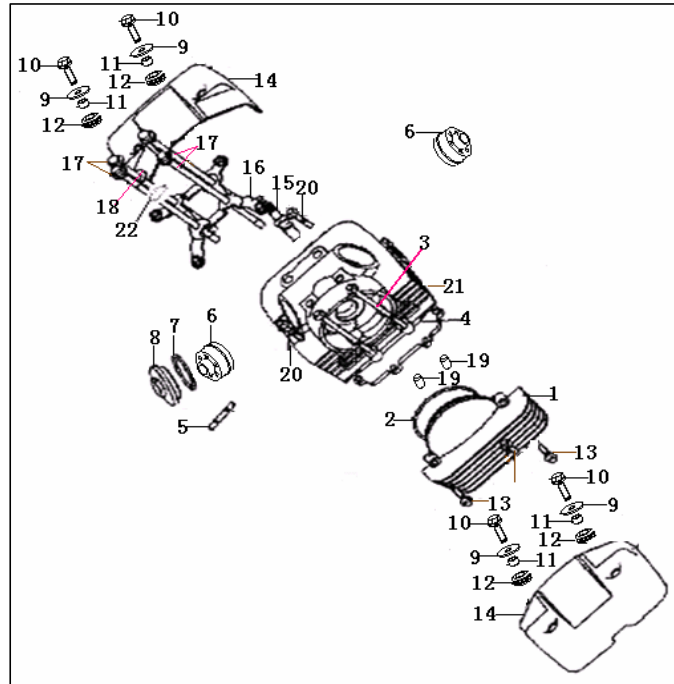
序号	代码	数量
NO	CODE	QTY
1	218100.015082	1
2	34146N04F000	1
3	34140N04F000	1
4	B02040801862	3
5	B02040602562	2
6	34150N04F000	1
7	34400N04F000	1
8	217100.018082	1



(2V49FM.01(I)A) 气缸盖组件(I)白漆

E09 CYLINDER HEAD ASSY

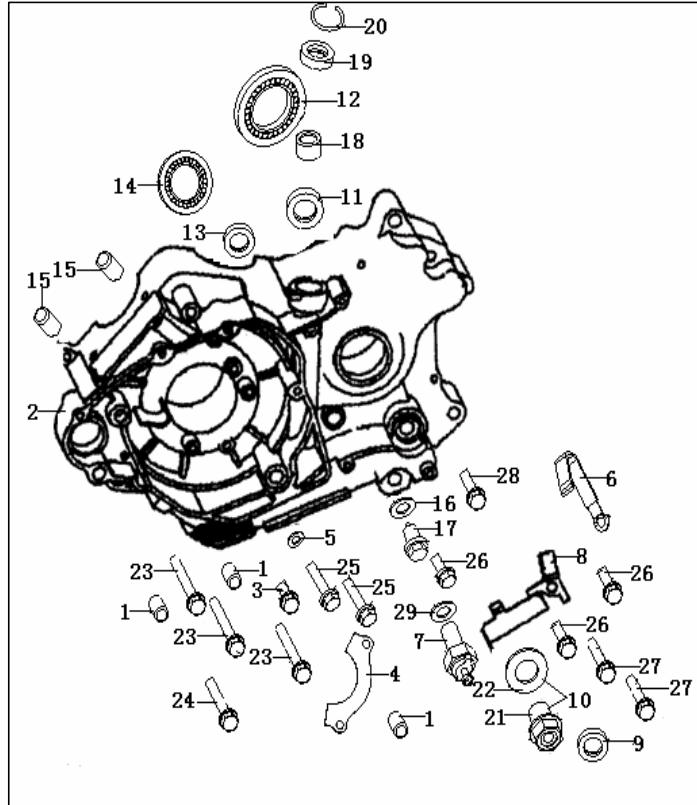
NO	CODE	数量
NO	CODE	QTY
1	201301.004082	1
2	30505N04F000	1
3	B01070611064	2
4	30503N04F000	1
5	201216.001472	2
6	30240N04F000	2
7	30116N04F000	2
8	201326.003082	2
9	30112N04F940	4
10	B01070602064	4
11	30534N04F910	4
12	30111N04F000	4
13	B01070602564	2
14	201300.018082	2
15	201204.009000	1
16	30320N04F910	1
17	201313.006472	4
18	30515N04F000	1
19	26208J01F000	2
20	B01070604064	2
21	201100.017082	1
22	26117J01F000	3



2V49FM.03.01.01A左曲轴箱分总成 喷白漆

E10 LEFT CRANKCASE ASSY

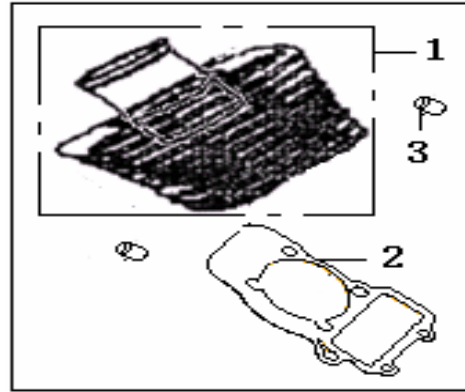
序号	代码	名称	数量
NO	CODE		QTY
1	26123G02F000	PIN DOWEL	2
2	26110N04F000	LEFT CRANKCASE COMP	1
3	B01030601263	BOLT	2
4	26113N04F000	CHAINPLATE	2
5	307991002230	WASHER I	2
6	26601N04F940	CLAMP I	1
7	34800N04F000	SENCOR_neutral switch	1
8	26603N04F940	CLAMP II	1
9	26133N04F000	OIL SEAL I	1
10	26143N04F000	DRAIN PLUG COMP	1
11	26130N04F000	OIL SEAL II	1
12	B12016630550	BEARING	1
13	26129N04F000	OIL SEAL III	1
14	B12016610350	BEARING	1
15	26123N04F000	PIN,dowel	4
16	307991002430	WASHER III	1
17	26138N04F940	SCREW,dowel	1
18	26137N04F000	BEARING	1
19	26142N04F000	OILSEALIV	1
20	B08000002800	CLIP	1
21	26144N04F000	PLUG	1
22	26145N04F000	WASHER	1
23	301310608065	SCREW	4
24	301310607065	SCREW	2
25	301310604065	SCREW	1
26	301310602565	SCREW	4
27	301310606365	SCREW	2
28	301310603065	SCREW	2
29	307991511651	WASHER	1



(2V49FM.02(I)A) 气缸体部件(I)喷白漆

E11 CYLINDER ASSY

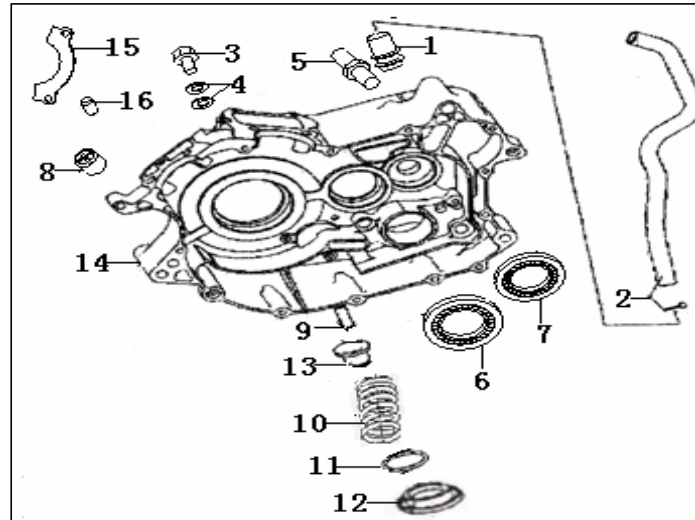
序号	代码		数量
NO	CODE		QTY
1	204100.013082	CYLINDER ASSY	1
2	27102N04F000	GASKET,cylinder	1
3	26208J01F000	PIN,POWEL	2



右曲轴箱分总成 (喷白漆, 油压指示螺栓2V49.03-07镀铬,)

E12 RIGHT CRANKCASE ASSY

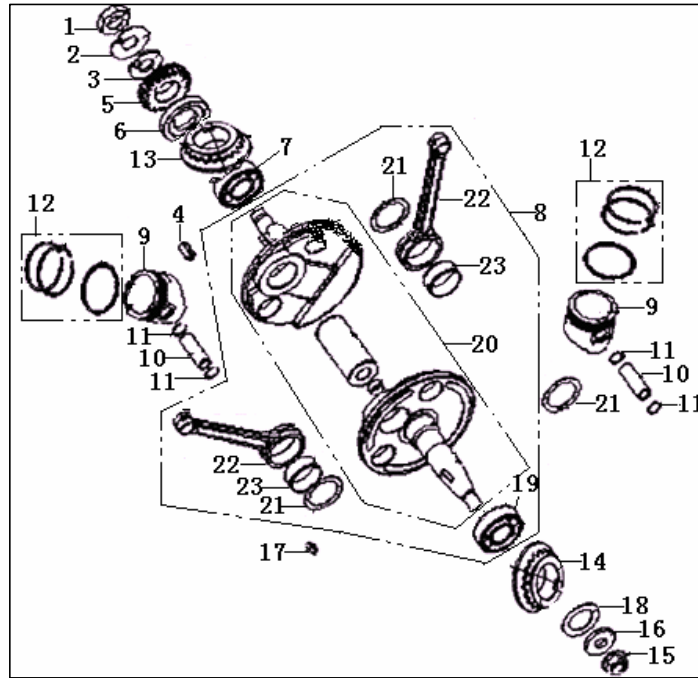
序号	代码		数量
NO	CODE		QTY
1	26401N04F940	PIPE,link	1
2	26400N04F000	VENTILATE PIPE COMP	1
3	201207.002472	BOLT,oil pressure indication	1
4	26216N04F940	WASHER II	1
5	26208N04F930	PIN	1
6	B12016620550	BEARING	1
7	B12016610450	BEARING	1
8	26228N04F000	PLUG,oil limiting	2
9	26321N04F000	OIL PIPE,soak oil	1
10	26305N04F930	SPRING	1
11	26307N04F000	O RING II	1
12	206211.004082	DRAIN PLUG	1
13	26300N03F000	FILTER WEB	1
14	26210N04F000	RIGHT CRANKCASE COMP	1
15	26113N04F000	CHAIN PLATE	1
16	26207N04F000	BOLT	1



2V49FM.05A曲轴连杆机构部件

E13 CRANKSHAFT,CONNECTING ROD,PISTON ASSY

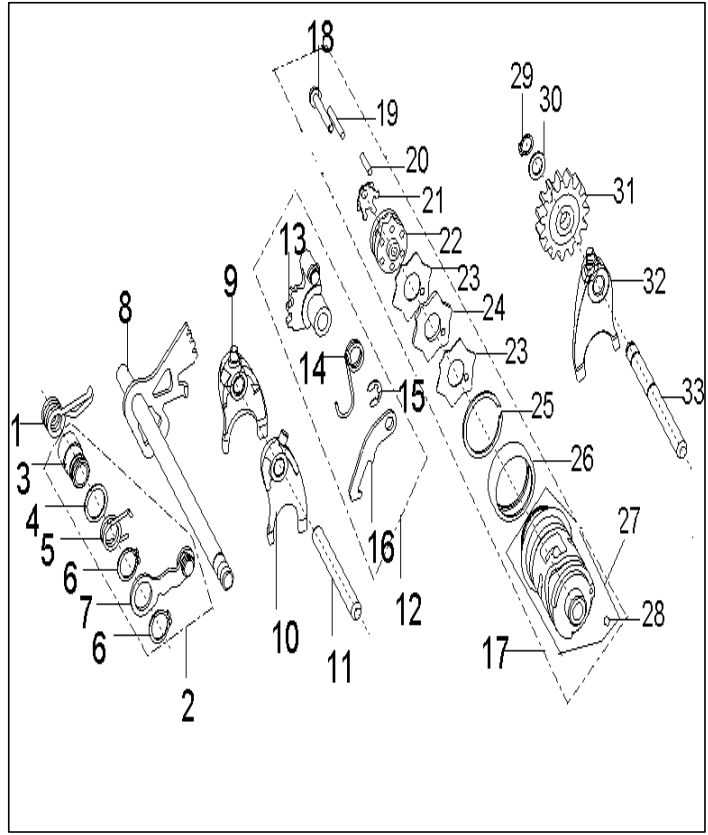
序号	代码		数量
NO	CODE		QTY
1	15230N04F000	LOCK NUT	1
2	15233N04F930	WASHER (20-GB710-88)	1
3	15234N04F000	WASHER (35-GB710-88)	1
4	15116N04F000	KEY	1
5	15207N04F000	GEAR	1
6	15117N04F000	PLATE, CHAIN	1
7	B12016630653	BEARING	1
8	15200N04F000	CRANKSHAFT COMP	1
9	208300030062	PISTON	2
10	15105N04FF10	PIN, PISTON	2
11	15106N04F930	CIRCLIP	4
12	15120N04F000	RING ASSY.	1
13	15232N04F000	SPROCKET,C/SHAFT TIMING(I)	1
14	15238N04F000	SPROCKET,C/SHAFT TIMING(II)	1
15	15228H03F000	NUT(M12X1.2)	1
16	15209N04F920	WASHER (31X12.5X4)	1
17	15101N03F000	KEY	1
18	34122N04F000	WASHER (40X25.3X1)	1
19	B12016630653	BEARING	1
20	208104.006000	CONNECTING ROD COMP	1
21	15212N04F000	CIRCLIP	3
22	208104.006000	CONNECTING ROD	2
23	15214N04F000	NEEDLE CAGE BEARING	2



2V49FM.13A变档机构部件

E14 GEAR SHIFT MECHANISM

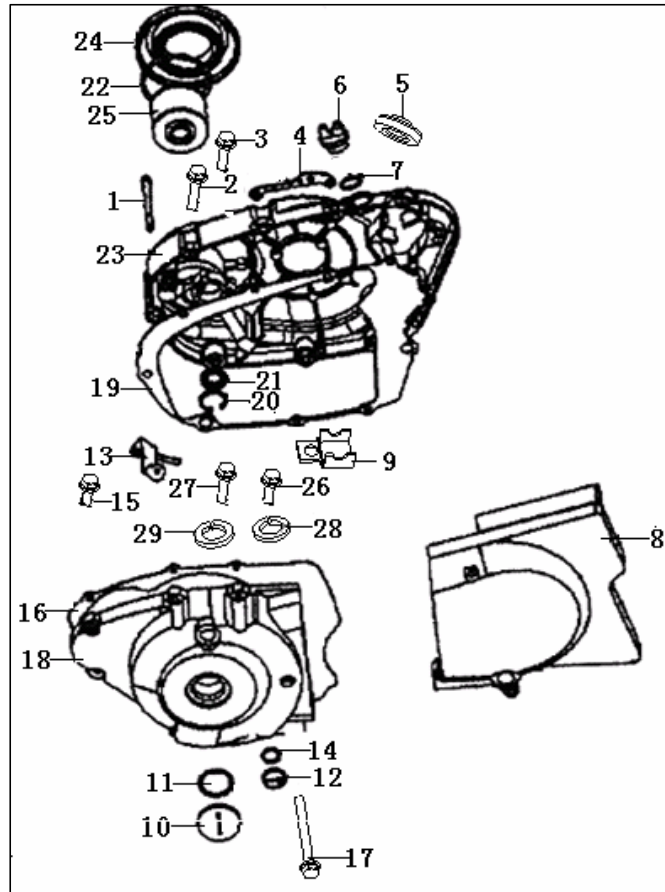
序号	代码		数量
NO	CODE		QTY
1	17701N04F000	SPRING	1
2	17515N04F000	STOPPER ASSY	1
3	17516N04F000	AXLE SET	1
4	17517N04F930	WASHER	1
5	17518N04F930	SPRING	1
6	B08010001700	CIRCLIP	2
7	17514N04F000	STOPPER	1
8	17703N04F000	SHAFT	1
9	17614N04F940	FORKIII	1
10	17616N04F940	FORKI	1
11	17617N04F000	SHAFTI, shift fork	1
12	17415N04F000	CLAW ASSY	1
13	17417N04F000	GEARII	1
14	17418N04F930	SPRING	1
15	17442N04F920	CIRCLIP	1
16	17713N04F000	CLAW	1
17	17600N04F000	CAM ASSY	1
18	B02010503563	BOLT	1
19	17601N04F000	PIN	1
20	17618N04F000	PIN	5
21	17624N04F000	SPRING WASHER	1
22	17625N04F000	KICKSTAND	1
23	17603N04F920	WASHER	2
24	17602N04F000	PLATE	1
25	17626N04F930	CIRCLIP	1
26	17623N04F000	NEEDLE BEARING	1
27	17604N04F000	CAM, gear shift	1
28	17609N04F000	PLATE, neutral switch	1
29	B08010001000	CIRCLIP	3
30	30300N04F000	WASHER	1
31	19117N04F000	GEAR	1
32	17615N04F940	FORKII	1
33	17621N04F000	SHAFTII, shift fork	1



2V49FM.04C 曲轴箱盖部件 (滤清器KEEWAY)

E15 CLUTCH COVER ASSY

序号	代码	名称及规格	数量
NO	CODE	DESCRIPTION	QTY
1	301310609065	SCREW	1
2	301310603565	SCREW	4
3	301310602565	SCREW	16
4	206303.005472	BRACKET,right crankcase cover	1
5	14233J03F000	OIL LEVEL INDICATOR ASSY	1
6	207305.006472	PLUG	1
7	14208N04F000	O RING	1
8	207201.026472	COVER,sprocket	1
9	14231N04F000	PLATE	1
10	207204.006472	PLUG,cover magneto	1
11	14116H03F000	O RING	1
12	207205.001472	PLUG	1
13	207213.005472	PLATE	1
14	14115N04F000	O RING	1
15	B01050601064	SCREW	2
16	14230N04F000	GASKET,magneto cover	1
17	B01070607064	SCREW	1
18	207200.043472	Cover,magneto	1
19	14229N04F000	GASKET,sprocket cover	1
20	B08000002500	CIRCLIP	1
21	14221N04F000	OIL SEAL	1
22	B190106300C0	O RING	1
23	207300.015472	CLUTCH COVER	1
24	207308.007472	CAP,strainer	1
25	26308N04F000	STAINER	1
26	34345J01F000	SCREW	2
27	B02040603023	SCREW	3
28	B07140005001	WASHER	3
29	B07140006001	WASHER	2



2V49FM.08A正时链及张紧机构部件

E16 TIMING CHAIN & TENSIONER ASSY

序号 代码

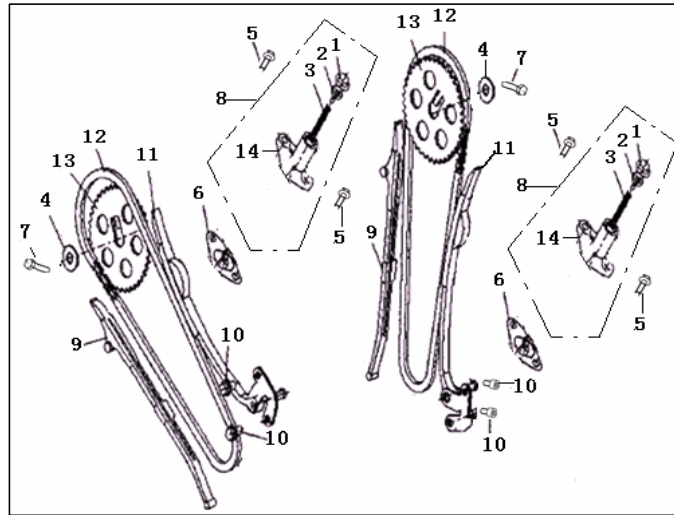
NO CODE

1	27450B08F000	BOLT
2	27302N03F000	O RING (8.5x2)
3	27305N03F000	SPRING (1)
4	27304N04F000	WASHER 19.5X8.2X2
5	B01070601864	SCREW(M6X18)
6	27304N03F000	GASKET
7	27328N04F930	BOLT (M8X21.5)
8	27300N03F000	TENSIONER COMP.
9	27440N04F000	GUIDE CHAIN PLATE
10	B02030601063	BOLT(M6X12)
11	27430N04F000	GUIDE CHAIN PLATE
12	27321N04F000	TIMING CHAIN
13	30404N04F000	TIMING CHAIN SPROCKET BIG
14	205117001000	SET TENSIONER ASSY

数量

QTY

2
2
2
2
4
2
2
2
2
4
2
2
2



2V49FM.12A主轴分总成

E17 PRINCIPAL AXLE ASSY

序号 代码

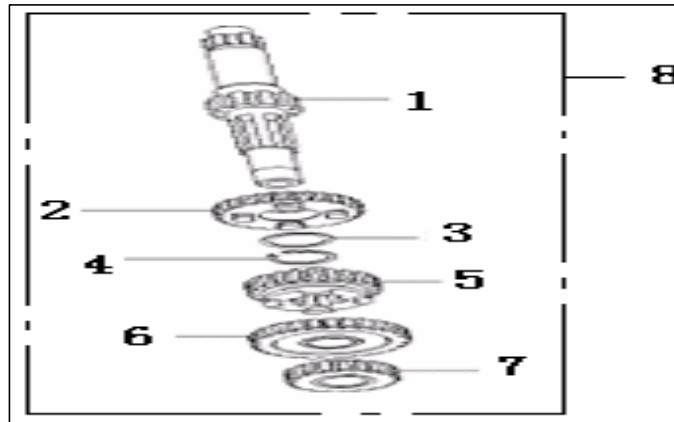
NO CODE

1	17201N04F000	SHAFT , DRIVEN
2	17205N04F000	GEAR, 4th drive
3	17223N04F000	WASHER
4	17224N04F930	CIRCLIP
5	17204N04F000	GEAR, 3rd drive
6	17206N04F000	GEAR, 5th drive
7	17202N04F000	GEAR, 2nd drive
8	209101.010000	DRIVEN SHAFT ASSY

数量

QTY

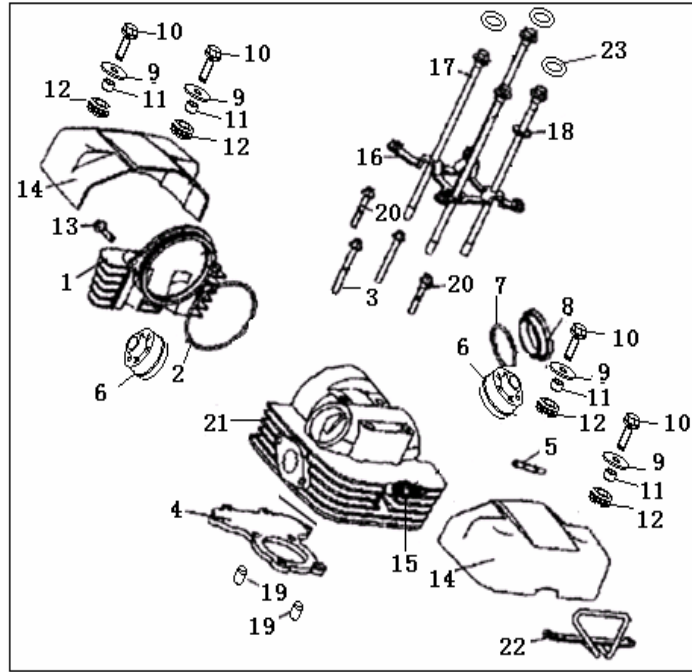
1
1
1
1
1
1
1
1



(2V49.01(II)C) 气缸盖部件(II)白漆,火花塞型号 : A7RTC

E18 CYLINDER HEAD ASSY

序号	代码	名称及规格	数量
NO	CODE	DESCRIPTION	QTY
1	201301.004082	RIGHT COVER, cylinder head	1
2	30505N04F000	O RING	1
3	B01070611064	SCREW	2
4	30503N04F000	GASKET, head cover	1
5	201216.001472	STUD BOLT	2
6	30240N04F000	SEAL COMP, valve	2
7	30116N04F000	O RING	2
8	201326.003082	OBSERVE COVER	2
9	30112N04F940	WASHER	4
10	B01070602064	SCREW	4
11	30534N04F910	CONDUIT	4
12	30111N04F000	GASKET,seal	4
13	B01070602564	SCREW	2
14	201300.018082	HEAD COVER COMP	2
15	201204.009000	SPARK PLUG (A7RTC)	1
16	30320N04F910	FIXTURE	1
17	201313.006472	MOUNT	4
18	30515N04F000	WASHER	1
19	26208J01F000	PIN, DOWEL	2
20	B01070604064	SCREW	2
21	201100.017082	CLINDER HEAD	1
22	201105.001472	SUSPENDER COMP	1
23	26117J01F000	O RING	3



(2V49.02(II)B) 气缸体部件(II)喷白漆

E19 CYLINDER ASSY

序号	代码	名称及规格	数量
NO	CODE	DESCRIPTION	QTY
1	204100.014082	CYLINDER MACHINING ASSY	1
2	27102N04F000	GASKET,cylinder	1
3	26208J01F000	PIN,POWEL	2

